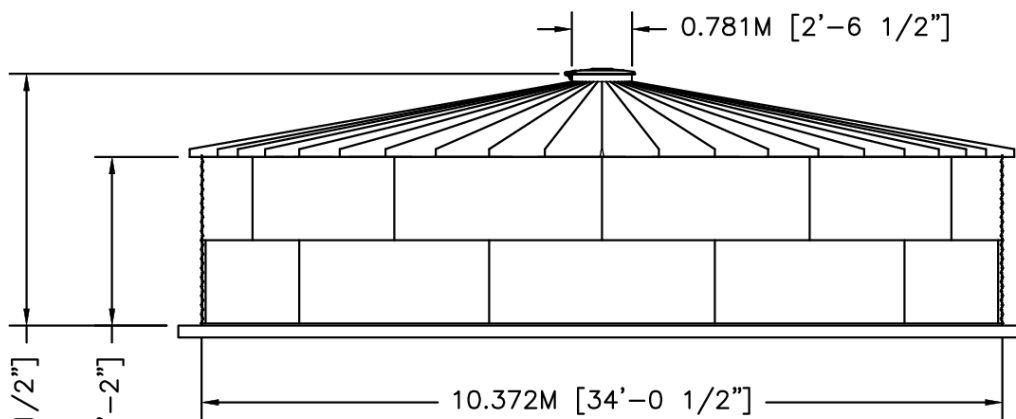


PLAN



ELEVATION



	BY	DATE
DWN	XXX	XX/XX/XX
CKD		
ENG		

TITLE		REV. NO.	
WTU11-02 30"PR 10DEG V-RIB			
NOMINAL CAPACITY - 173.837 M3 [45,923 GAL]			
DWG. NO.	SCT3402-LVR WTU11-02	REV. NO.	
SIZE:	SCALE:	SHEET	OF
A	1/8"=1'-0"	1	1